

# Tumble dryer

## T5675

### Features and benefits

- Axial airflow and tight construction gives low energy consumption
- High productivity - 2 full loads per hour
- Large door opening for easy loading and unloading
- Easy and ergonomic access to the lint screen
- Excellent water evaporation efficiency per kWh
- The coin version with Ecopower to avoid over drying of the garments and get a lower energy consumption
- With Compass Pro program control
  - Large and clear display with control knob for easy program selection
  - Easy access with user-friendly interface
  - Language selection
  - Drying program packages optimized for Economy, Care and Time
  - Service program for adjustment of parameters
  - USB connection

### Main options

- Stainless steel front
- Stainless steel drum
- Residual Moisture Control - RMC
- Payment systems: coin meter with Ecopower, central payment, chip card, intelligent communication
- Reversing drum
- Heat recovery system: Heat Recovery Pipes (HRP)
- Fresh air intake
- Emergency stop button
- Supply disconnecter
- Exhaust on top
- Frequency controlled motor

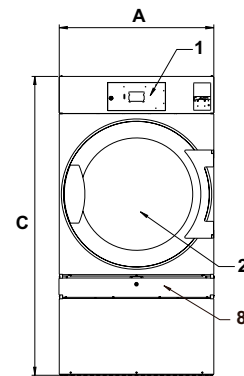


Images shown are a representation of the product only and variations may occur.

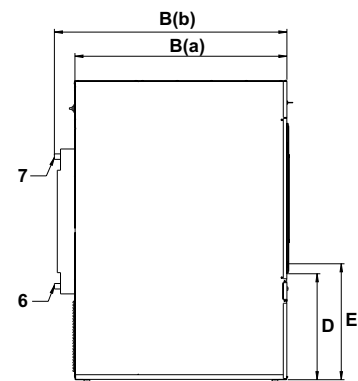
Main specifications			T5675			
Rated capacity,	filling factor 1:18	kg/lb	37.5/82.7			
	filling factor 1:22	kg/lb	30.6/67.5			
Drum volume		litre	675			
Drum diameter		mm	913			
Heating alternatives						
	electric	kW	32/40			
	gas	BTU/h (kW)	14 3400 (42)			
	steam at 600-700 kPa	kW	46			
<b>Consumption data*</b>			32 kW	40 kW	Gas	Steam
Total time at 30.6 kg		min	28	22	23	26
Energy consumption at 30.6 kg		kWh	15.00	14.62	15.68	23.86
Evaporation		g/min	544	676	649	588
Energy kWh/litre water evaporated		kWh/l	0.97	0.98	1.05	1.56

\* At rated capacity 100% cotton load at 50% initial moisture dried to 0%.

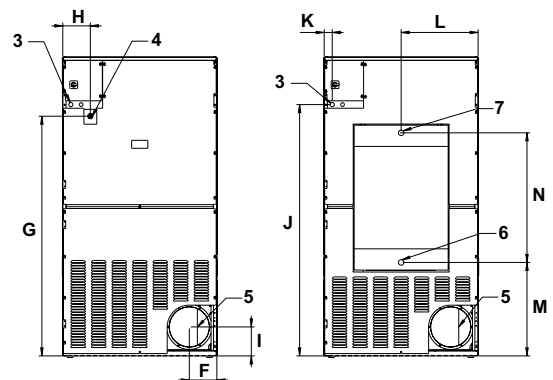
Electrical connections		T5675	
Heating Voltage			
El.	400-415V 3N AC 50/60 Hz	kW(A)	34.6 (50)
	400-415V 3N AC 50/60 Hz	kW(A)	42.6 (63)
	440-480V 3AC 60 Hz	kW(A)	34.7 (50)
	440-480V 3AC 60 Hz	kW(A)	42.7 (63)
	230-240V 3AC 50/60 Hz	kW(A)	34.4 (100)
	230-240V 3AC 50/60 Hz	kW(A)	42.4 (125)
Gas/ steam	400-415V 3N AC 50/60 Hz	kW(A)	2.6 (10)
	440-480V 3AC 60 Hz	kW(A)	2.7 (10)
	230-240V 3AC 50/60 Hz	kW(A)	2.4 (10)
	230-240V 1AC 50/60 Hz	kW(A)	2.2 (10)
Steam, gas and air connections			
Steam	ISO 7/1-R		1"
Steam pressure		kPa	100-1000
Steam consumption		kg/h	65
Condensate	ISO 7/1-R		1"
Gas	NG/PG	ISO 7/1-R	1/2"
	Natural gas		Pa 2000 mbar 20
Gas pressure	Propane		Pa 2800-3700 mbar 28-37
			200
Air outlet		ø mm	200
Evacuated air*	el 32 kW		m <sup>3</sup> /h 1000
	el 40 kW		m <sup>3</sup> /h 1150
	steam		1300
	gas		1000
Pressure drop	(el 32 kW/el 40 kW) (steam/gas)	Max. Pa	150/200
		Max. Pa	150/150
Sound levels			
Airborne sound level		dB(A)	<70
Heat emission			
% of installed power, max			15
Shipping data (el/steam/gas)			
		net, kg	340
		crated, kg	375
		boxed, kg	515
Shipping volume		crated, m <sup>3</sup>	3.57
Accessories			
Heat recovery pipes			HRP290
Fresh air intake			x
Dimensions in mm			
A	Width		960
B(a)	Depth		1510
B(b)	Depth		1640
C	Height		1855
D			660
E			720
F			170
G			1490
H			200
I			180
J			1560
K			50
L			480
M			580
N			805
1	Control panel	5	Exhaust connection
2	Door opening ø 810 mm	6	Condensate connection
3	Electrical connection	7	Steam connection
4	Gas connection	8	Lint screen



Front



Left side



El, gas

Steam

Rear side

\* Consumed air when the machine is optimally installed. Filling factor 1:22 when machine is warm.

## LV ENGINEERING SERVICE

No.12, Jalan Kempas 4, Taman Perindustrian Tampoi Indah, 81200 Johor Bahru, Johor.  
Tel/ Fax: +607-230 9936 H/P: 012-710 8871 Email: ongteoh2002@yahoo.com.cn

Website: lvengineering.webs.com