



Washer extractor

W5130N

Features and benefits

- **Compass Pro® microprocessor offers:**
 - Large display and one control knob for easy program selection
 - Language selection
 - Quick selection and option buttons for the most frequently used wash programs and options
 - Wash program packages optimized on *Economy, Performance and Time*. (Available on general programs)
- Extremely low water and energy consumption – see table below
- Four compartment detergent box for manual dosing of powder or liquid detergent
- High extraction force for efficient dewatering
- Door with gasket and strong hinges built for heavy duty operation
- Stainless and galvanized steel in all vital parts for high degree of rust protection
- SuperBalance guarantees the correct extraction force

Main options

- Automatic liquid detergent supply (optional I/O board)
- Stainless steel front panel
- Connection to booking- /payment- system or coin meter
- Drain pump



Images shown are a representation of the product only and variations may occur.

Main specifications				W5130N			
Max. capacity	filling factor 1:9	kg/lb		14/30			
Drum,	volume	litre		130			
	diameter	ø mm		595			
Extraction		rpm		548			
G-factor				100			
Standard heating alternatives	electricity	kW		7.5 / 10.0			
Low energy heating alternatives	electricity	kW		3.0			
	steam			x			
	non-heated			x			
Consumption data "Normal 60°C"				EI		Steam**	
Economy*				Full load, 14 kg	Half load, 7 kg	Full load, 14 kg	Half load, 7 kg
Total time	min		47	45	47	45	
Water consumption (cold+hot)	litre		87+23	64+15	87+23	64+15	
Energy consumption (motor/heating/hot water)	kWh		0.15/0.65/1.45	0.15/0.45/1.0	0.15/-	0.15/-	
Steam consumption	kg		-	-	3.15	2.2	
Residual moisture	%		69	78	69	78	

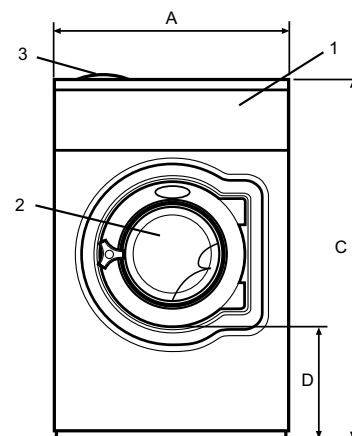
* Water temperature 15°C cold water and 65°C hot water.

** Depending on steam pressure.

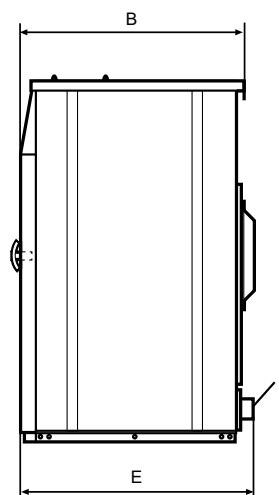


Electrical connections*					
Heating alternative	Main voltage		Heating power kW	Total power kW	Recommended fuse A
		Hz			
Electric heated	220-240V 1 ~	50/60	3.0/7.5/10.0	3.5/8.0/10.4	20/35/50
	220-240V 3 ~	50/60	7.5/10.0	8.0/10.4	25/35
	380-415V 3N ~	50/60	7.5/10.0	7.9/10.4	16/20
	440V 3 ~	60	7.5/10.0	8.0/10.4	16/20
	480V 3 ~	60	7.5/10.0	8.0/10.4	16
Steam or Non heated	220-480V 1/3 ~	50/60	-	1.0	10

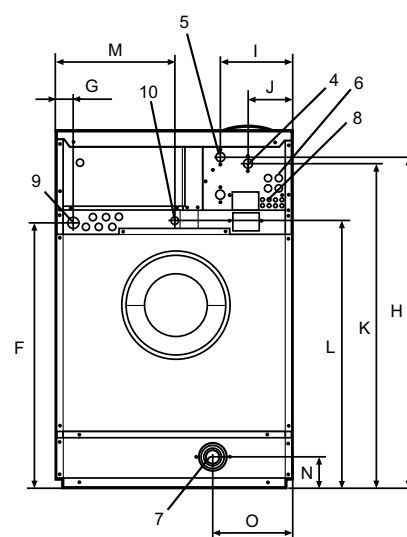
Water and steam connection		W5130N	
Water valves	DN	20	
Water pressure	kPa	200-600	
Capacity at 300 kPa	l/min	20	
Drain valve	ø mm	75	
Draining capacity	l/min	170	
Steam valve	DN	15	
Steam pressure	kPa	300-600	
Liquid detergent supplies		5	
Floor requirements			
Frequency of the dynamic force	Hz	9.1	
Floor load at max extraction	kN	2.4 ± 3.1	
Sound levels			
Sound power level (IEC 60704-2-4)			
wash	dB(A)	64	
extraction	dB(A)	69	
Heat emission			
% of installed power, max		5	
Shipping data			
Weight	net, kg	175	
	crated, kg	196	
Shipping volume	m ³	0.91	
Accessories			
Steel base		x	
Hose kits for water or steam		x	
Fluff collector		x	
Dimensions in mm			
A	Width	720	
B	Depth	790	
C	Height	1200	
D		365	
E		825	
F		910	
G		45	
H		1115	
I		215	
J		130	
K		1095	
L		910	
M		420	
N		100	
O		235	
1	Operating panel	6	Water re-use
2	Door opening ø 365 mm	7	Drain
3	Detergent box	8	Liquid detergent supply
4	Cold water	9	Electrical connection
5	Hot water	10	Steam connection



Front



Side view



Rear

Front and side panels in light grey and blue (RAL 260 70 05, 250 60 30)

* Other voltages available, see installation manual