



Washer extractor

W5180N

Features and benefits

- **Compass Pro® microprocessor offers:**
 - Large display and one control knob for easy program selection
 - Language selection
 - Quick selection and option buttons for the most frequently used wash programs and options
 - Wash program packages optimized on *Economy, Performance and Time*. (Available on general programs)
- Extremely low water and energy consumption – see table below
- Four compartment detergent box for manual dosing of powder or liquid detergent
- High extraction force for efficient dewatering
- Door with gasket and strong hinges built for heavy duty operation
- Stainless and galvanized steel in all vital parts for high degree of rust protection
- SuperBalance guarantees the correct extraction force

Main options

- Automatic liquid detergent supply (optional I/O board)
- Stainless steel front panel
- Connection to booking- /payment- system or coin meter
- Drain pump



Images shown are a representation of the product only and variations may occur.

Main specifications				W5180N			
Max. capacity	filling factor 1:9	kg/lb		20/45			
Drum,	volume	litre		180			
	diameter	ø mm		650			
Extraction		rpm		525			
G-factor				100			
Standard heating alternatives		electricity	kW	13.0			
		steam		x			
		non-heated		x			
Consumption data "Normal 60°C"				EI		Steam**	
Economy*				Full load, 20 kg	Half load, 10 kg	Full load, 20 kg	Half load, 10 kg
Total time		min	50	47	50	47	
Water consumption (cold+hot)		litre	124+31	101+21	124+31	101+21	
Energy consumption (motor/heating/hot water)		kWh	0.25/0.9/2.0	0.25/0.6/1.35	0.25/-	0.25/-	
Steam consumption		kg	-	-	4.35	2.9	
Residual moisture		%	69	78	69	78	

* Water temperature 15°C cold water and 65°C hot water.

** Depending on steam pressure.

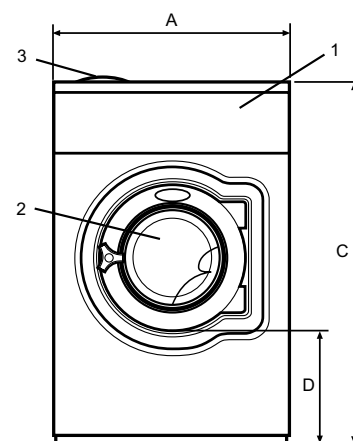


Electrical connections*					
Heating alternative	Main voltage		Heating power kW	Total power kW	Recommended fuse A
		Hz			
Electric heated	220-240V 1 ~	50/60	13.0	13.5	63
	220-240V 3 ~	50/60	13.0	13.5	35
	380-415V 3N ~	50/60	13.0	13.5	25
	440V 3 ~	60	13.0	13.5	20
	480V 3 ~	60	13.0	13.5	20
Steam or Non heated	220-480V 1/3 ~	50/60	-	1.0	10

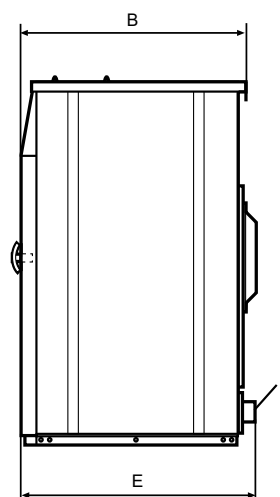
Water and steam connection		W5180N	
Water valves	DN	20	
Water pressure	kPa	200-600	
Capacity at 300 kPa	l/min	30	
Drain valve	ø mm	75	
Draining capacity	l/min	170	
Steam valve	DN	15	
Steam pressure	kPa	300-600	
Liquid detergent supplies		5	
Floor requirements			
Frequency of the dynamic force	Hz	8.8	
Floor load at max extraction	kN	2.9 ± 3.9	
Sound levels			
Sound power level (IEC 60704-2-4)			
wash	dB(A)	69	
extraction	dB(A)	72	
Heat emission			
% of installed power, max		5	
Shipping data			
Weight	net, kg	228	
	crated, kg	240	
Shipping volume	m ³	1.18	
Accessories			
Steel base		x	
Hose kits for water or steam		x	
Fluff collector		x	
Dimensions in mm			
A	Width	750	
B	Depth	880	
C	Height	1333	
D		435	
E		915	
F		1035	
G		45	
H		1245	
I		295	
J		210	
K		1225	
L		1040	
M		325	
N		100	
O		225	
P		130	
1	Operating panel	6	Water re-use
2	Door opening ø 395 mm	7	Drain
3	Detergent box	8	Liquid detergent supply
4	Cold water	9	Electrical connection
5	Hot water	10	Steam connection

Front and side panels in light grey and blue (RAL 260 70 05, 250 60 30)

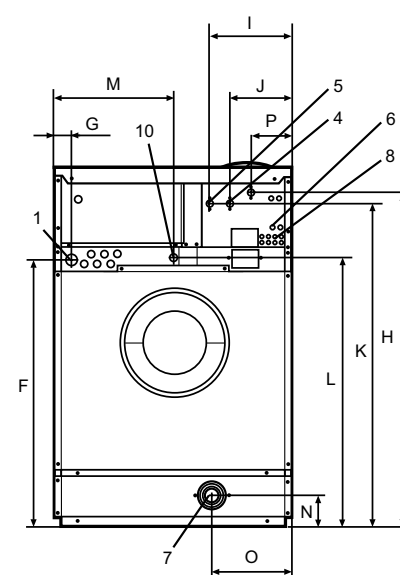
* Other voltages available, see installation manual



Front



Side view



Rear