



# Washer extractor

## W5250N

### Features and benefits

- **Compass Pro® microprocessor offers:**
  - Large display and one control knob for easy program selection
  - Language selection
  - Quick selection and option buttons for the most frequently used wash programs and options
  - Wash program packages optimized on *Economy, Performance and Time*. (Available on general programs)
- Extremely low water and energy consumption – see table below
- Four compartment detergent box for manual dosing of powder or liquid detergent
- High extraction force for efficient dewatering
- Door with gasket and strong hinges built for heavy duty operation
- Stainless and galvanized steel in all vital parts for high degree of rust protection
- SuperBalance guarantees the correct extraction force

### Main options

- Automatic liquid detergent supply (optional I/O board)
- Stainless steel front panel
- Connection to booking- /payment- system or coin meter
- Drain pump



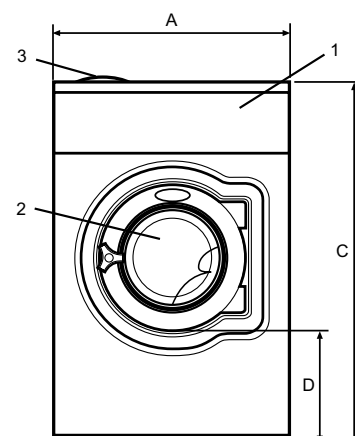
Images shown are a representation of the product only and variations may occur.

Main specifications				W5250N			
Max. capacity	filling factor 1:9	kg/lb		28/62			
Drum,	volume	litre		250			
	diameter	ø mm		725			
Extraction		rpm		497			
G-factor				100			
Standard heating alternatives		electricity	kW	18.0			
		steam		x			
		non-heated		x			
<b>Consumption data "Normal 60°C"</b>				EI		Steam**	
<b>Economy*</b>				Full load, 28 kg	Half load, 14 kg	Full load, 28 kg	Half load, 14 kg
Total time		min	49	46	49	46	
Water consumption (cold+hot)		litre	159+47	131+31	159+47	131+31	
Energy consumption (motor/heating/hot water)		kWh	0.3/1.35/3.0	0.3/0.9/2.0	0.3/-	0.3/-	
Steam consumption		kg	-	-	6.5	4.35	
Residual moisture		%	69	78	69	78	
* Water temperature 15°C cold water and 65°C hot water.							
** Depending on steam pressure.							

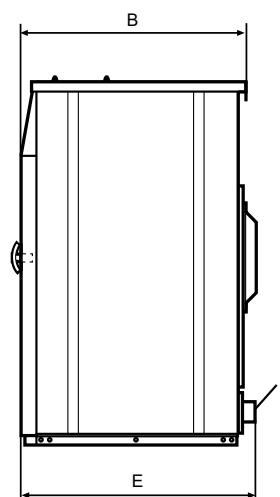


Electrical connections*					
Heating alternative	Main voltage		Heating power kW	Total power kW	Recommended fuse A
		Hz			
Electric heated	220-240V 3 ~	50/60	18.0	18.8	50
	380-415V 3N ~	50/60	18.0	18.7	35
	440V 3 ~	60	18.0	18.8	35
	480V 3 ~	60	18.0	18.8	25
Steam or Non heated	220-480V 1/3 ~	50/60	-	1.1	10

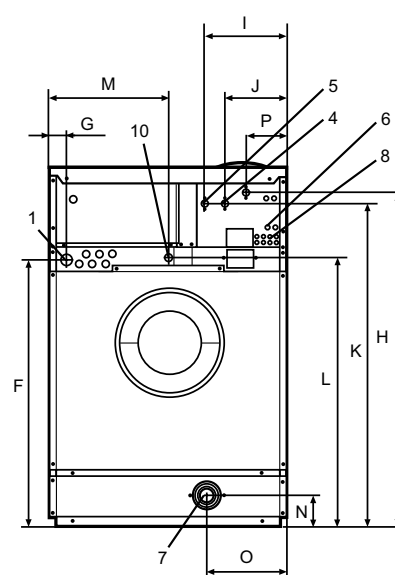
Water and steam connection		W5250N	
Water valves	DN	20	
Water pressure	kPa	200-600	
Capacity at 300 kPa	l/min	60	
Drain valve	ø mm	75	
Draining capacity	l/min	170	
Steam valve	DN	15	
Steam pressure	kPa	300-600	
Liquid detergent supplies		5	
Floor requirements			
Frequency of the dynamic force	Hz	8.3	
Floor load at max extraction	kN	3.8 ± 4.9	
Sound levels			
Sound power level (IEC 60704-2-4)			
wash	dB(A)	67	
extraction	dB(A)	71	
Heat emission			
% of installed power, max		5	
Shipping data			
Weight	net, kg	287	
	crated, kg	302	
Shipping volume	m <sup>3</sup>	1.51	
Accessories			
Steel base		x	
Hose kits for water or steam		x	
Fluff collector		x	
Dimensions in mm			
A	Width	830	
B	Depth	955	
C	Height	1410	
D		470	
E		990	
F		1120	
G		45	
H		1330	
I		325	
J		245	
K		1290	
L		1125	
M		325	
N		100	
O		265	
P		160	
1	Operating panel	6	Water re-use
2	Door opening ø 435 mm	7	Drain
3	Detergent box	8	Liquid detergent supply
4	Cold water	9	Electrical connection
5	Hot water	10	Steam connection



Front



Side view



Rear

Front and side panels in light grey and blue (RAL 260 70 05, 250 60 30)

\* Other voltages available, see installation manual