



Washer extractor

W555H

Features and benefits

- **Compass Pro® microprocessor offers:**
 - Large display and one control knob for easy program selection
 - Language selection
 - Quick selection and option buttons for the most frequently used wash programs and options
 - Wash program packages optimized on *Economy, Performance and Time*
- **AS – Automatic Savings:**
 - The machine weighs the linen and adjusts the amount of water and energy according to the load. This leads to considerable savings in case the machine is not fully loaded
- Extremely low water and energy consumption – see table below
- Four compartment detergent box for manual dosing of powder or liquid detergent
- High extraction force for efficient dewatering
- Door with gasket and strong hinges built for heavy duty operation
- Stainless and galvanized steel in all vital parts for high degree of rust protection
- **PowerBalance™:**
 - Maximises the extraction force
 - Less stress on the machine
 - Reduces vibrations



Images shown are a representation of the product only and variations may occur.

Main options

- Automatic liquid detergent supply (optional I/O board)
- Connection to booking- /payment- system or coin meter
- Drain pump
- Stacking kit to install tumble dryer T5130 on top to save space

Main specifications				W555H					
Max. capacity		kg/lb		6/13					
Drum, volume		litre		53					
	diameter	ø mm		452					
Extraction		rpm		1450					
G-factor				530					
Heating alternatives, 230/400V	electricity	kW		4.7					
	non-heated			x					
Consumption data "Normal 60°C" * (6A01/6G01)				Economy		Time		Performance	
				Full load	Half load**	Full load	Half load**	Full load	Half load**
Total time		min		59	53	45	38	65	58
Water consumption (cold+hot)		litre		45	23	52	27	54	32
Energy consumption (motor/heating/heating hot water)		kWh		0,15/0,75	0,15/0,45	0,15/0,8	0,15/0,45	0,15/1,05	0,15/0,60
Residual moisture		%		46	48	48	50	46	48

* Water temperature 15°C cold water and 65°C hot water.

** Programs with AS.



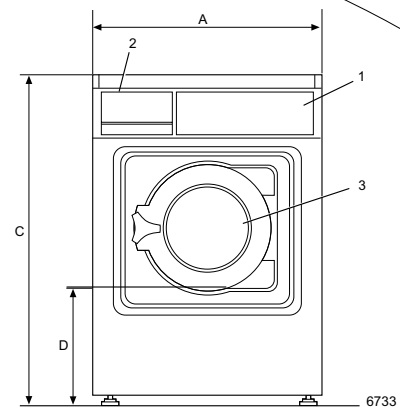
Thinking of you
Electrolux

Electrical connections					
Heating alternative	Main voltage		Heating power kW	Total power kW	Recommended fuse A
		Hz			
Electric heated	220-230V 1~	50/60	2.1	2.5	16
	220-230V 1~	50/60	4.2	4.7	25
	240V 1~	50/60	2.2	2.6	16
	240V 1~	50/60	4.4	4.8	20
	220-230V 3 ~	50/60	4.2	4.7	20
	240V 3 ~	50/60	4.4	4.8	20
	380-400V 3 ~	50/60	3.2	3.6	10
	415V 3 ~	50/60	3.6	4.0	10
	440V 3 ~	60	4.0	4.5	16
	480V 3 ~	60	4.4	4.8	16
	380-400V 3N ~	50/60	4.2	4.7	10
	415V 3N ~	50/60	4.4	4.8	10
	Non heated	220-240V 1 ~	50/60	-	0.9

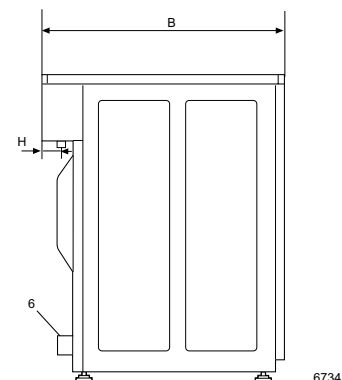
Water connections		W555H
Water valves	DN	20
Water pressure	kPa	200-500
Capacity at 300 kPa	l/min	17
Drain valve	ø mm	50
Draining capacity	l/min	160
Liquid detergent supplies		5
Floor requirements		
Frequency of the dynamic force	Hz	24.2
Floor load at max extraction	kN	1.02 ± 0.3
Sound levels		
Sound power level (IEC 60704-2-4) wash	dB(A)	59
extraction	dB(A)	72
Heat emission		
% of installed power, max		5
Shipping data		
	net, kg	99
	crated, kg	109
	boxed, kg	147
Shipping volume	crated, m ³	0.47
Accessories		
Stainless steel fluff collector		x
Stacking kit with tumble dryer		x
Steel base		x
Dimensions in mm		
A	Width	595
B	Depth	680
C	Height	850
D		305
E		660
F		80
G		195
H		60
I		90
K		80
L		650 ± 50
1	Operating panel	5 Hot water
2	Detergent box	6 Drain valve
3	Door opening ø 255 mm	7 Drain pump
4	Cold water	8 Electrical connection

Front and side panels in light grey and blue (RAL 260 70 05, 250 60 30)

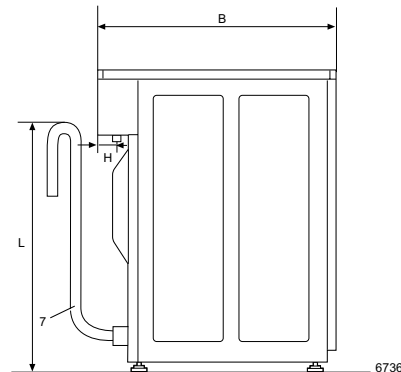
* Other voltages available, see installation manual



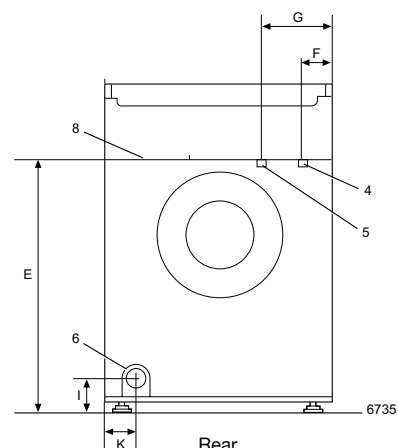
Front



Side view



Side view, pump



Rear

AUTHORISED DEALER

LV ENGINEERING SERVICE

6, Jalan Setia Tropika 2/2, Taman Setia Tropika, 81200 Johor Bahru, Johor, Malaysia.
Tel: +607-230 9936 Fax: +607-230 9936 H/P: 012-710 8871 Email: ongteoh2002@yahoo.com.cn

Website: www.lvengineering.webs.com

www.electrolux.com/laundrysystems

Share more of our thinking at www.electrolux.com

Art. No. 438919421/2012.08.31

We reserve the right to alter specifications without notice.